

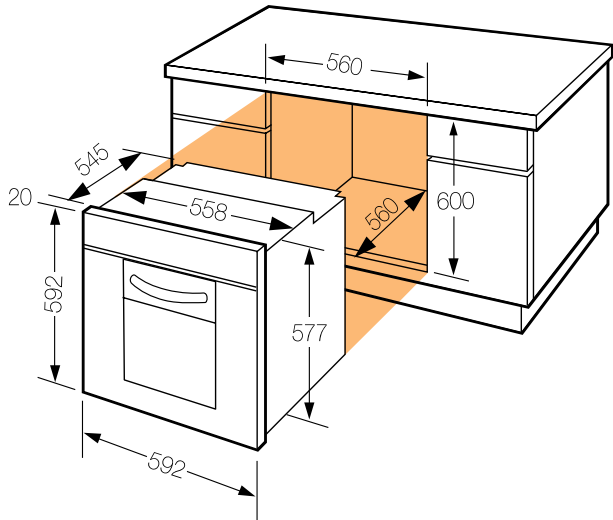
Technical single ovens

| Model Number | 7H-750X | 6H-296X | 6H-230X/W | 6H-130X |
|-------------------------------------|---------------|---------------|---------------|---------------|
| Oven Functions | | | | |
| Turbo plus | • | • | • | • |
| Turbogrill | • | • | • | • |
| Full width variable grill | • | • | • | • |
| Economy grill | | • | • | • |
| Defrost | | • | • | |
| Conventional cooking / ECO | ECO | • | | |
| Bottom heat & fan | • | • | | |
| Keep warm | • | | | |
| Fan assisted cooking | • | • | | |
| Celeris - fast heat up | | • | | |
| Oven Cleaning | | | | |
| Pyroclean | • | | | |
| Catalytic | | • | | |
| Easy clean enamel | • | • | • | • |
| Easy clean inner door | • | • | • | • |
| Fold down grill | | • | | |
| Oven Features & Controls | | | | |
| Type of controls | Retractable | Retractable | Rotary | Rotary |
| Interior light | • | • | • | • |
| Electronic clock & oven programmer | • | • | • | |
| Minute minder | • | • | • | • |
| Safety | | | | |
| Autosafety shut off | • | • | | |
| Child lock | | • | • | |
| Number of glasses | 3 | 2 | 2 | 2 |
| Cooling fan | • | • | • | • |
| Safety thermostat | • | • | • | • |
| Equipment & Accessories | | | | |
| Full width grill pan / meat pan | • | • | • | • |
| Auto stop anti tip shelf | 2 | 2 | 2 | 2 |
| Telescopic runners | | | | |
| Rotisserie | | | | |
| Dimensions | | | | |
| Built-in H/W/D (mm) | 600/560/560 | 600/560/555 | 600/560/555 | 600/560/555 |
| Overall H/W/D (mm) | 592/592/565 | 595/592/549 | 595/592/549 | 595/592/549 |
| Internal oven H/W/D (mm) | 320/435/380 | 322/420/380 | 322/420/380 | 322/420/380 |
| Volume (litres) | 52 | 51 | 51 | 51 |
| Packed H/W/D (mm) | 670/640/660 | 670/640/660 | 670/640/660 | 670/640/660 |
| Net weight (kg) | 39 | 31 | 31 | 31 |
| Gross weight (kg) | 42 | 33 | 33 | 33 |
| Consumption | | | | |
| Energy Class | A | A | A | A |
| Function to reach energy class | Fan | Fan | Fan | Fan |
| Cooktime standard load fan (mins) | 42 | 42 | 42 | 42 |
| Energy consumption fan (kWh) | 0.79 | 0.79 | 0.79 | 0.79 |
| Oven temperature range | 40-275°C | 50-250°C | 50-250°C | 50-250°C |
| Grill (kW) | 2.2 | 2.6 | 2.6 | 2.6 |
| Electrical Connection | | | | |
| Total connected load (kW) | 3.4 | 3.6 | 2.7 | 2.7 |
| Connection | 220-240V/50Hz | 220-240V/50Hz | 220-240V/50Hz | 220-240V/50Hz |
| Fuse rating (Amp) | 16 | 16 | 13 | 13 |

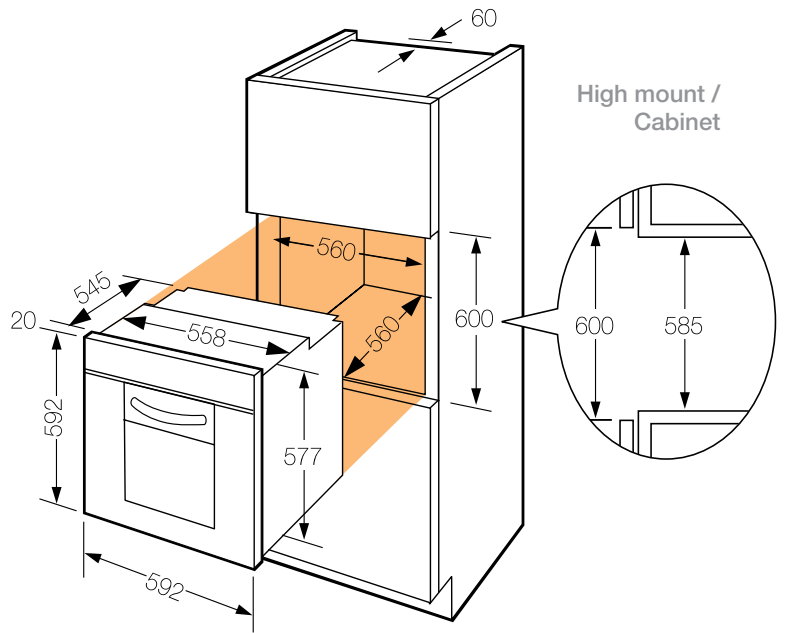
Technical single ovens

• 7H-750X

Under counter

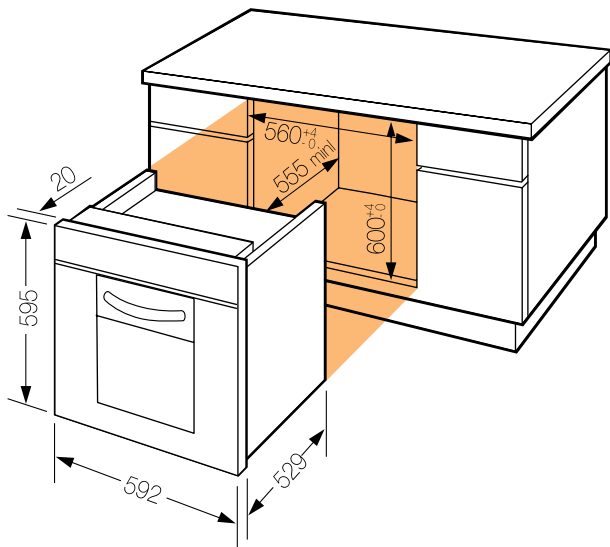


High mount / Cabinet



• 6H-296
6H-230
6H-130

Under counter



High mount / Cabinet

