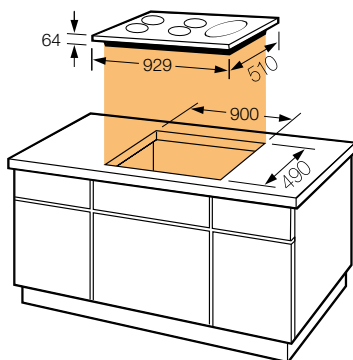


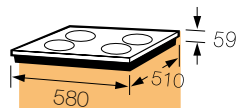
Technical induction & ceramic hobs

Model Number	iF-900S	iFF-4R	2VFT-320S	2VFT-400S	VFi-400R	2Fi-4EX
Zone Specification						
Zone type	Induction	Induction	Ceramic	Ceramic	Ceramic	Solid plate
Front right power (kW)	2.2	2.8 / 1.4	1.2	1.2	1.2	1.5
Front right width (mm)	160	180	145	145	145	145
Front left power (kW)	2.8	2.8 / 1.4	1.8	1.8	1.7	2.0
Front left width (mm)	180	180	180	180	180	180
Rear right power (kW)	3.1	2.8 / 1.4	2.1 - 0.7	2.1	2.1	2.0
Rear right width (mm)	210	180	210 - 120	210	210	180
Rear left power (kW)	2.8	2.8 / 1.4	1.2	1.2	1.2	1.5
Rear left width (mm)	180	180	145	145	145	145
Extreme right power (kW)	3.6					
Extreme right width (mm)	280					
Hob features						
Number of power levels	11+booster	9	9	9	6	6
Control type	Touch	Touch	Touch	Touch	Rotary	Rotary
Control position	Front	Front	Front	Front	Side	Side
Electronic timer	•	•				
Flexible zone size (saves energy)	•	•	•			
Safety						
Residual heat / hob on indicators	•	•	•	•	•	•
Child safety lock	•	•	•	•		
Auto safety shut off	•	•	•	•		
Anti overflow detection	•	•				
Anti over heat	•	•				
Automatic pan detection	•	•				
Small object detection	•	•				
Dimensions						
Aperture H/W/D (mm)	64/900/490	59/560/490	57/560/490	57/560/490	57/560/490	41/560/490
Appliance H*/W/D (mm)	64/929/510	59/580/510	57/590/520	57/590/520	57/590/520	41/580/510
Packed H/W/D (mm)	130/595/1075	140/600/750	110/640/570	110/640/570	110/640/570	110/640/570
Net weight (kg)	17	14	9	9	9	9
Gross weight (kg)	18	15	10	10.5	10	10
Electrical Connection						
Total connected load (kW)	10.8	5.9	6.3	6.3	6.2	7
Connection	220-240V/50Hz	230V/50Hz	220-240V/50Hz	220-240V/50Hz	220-240V/50Hz	220-240V/50Hz
Fuse rating (Amp)	50 (32+16)	32	32	32	32	32

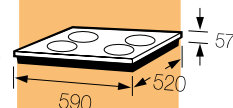
• iF-900S



• iFF-4R



• 2VFT-320S 2VFT-400S VFi-400R



• 2Fi-4EX

