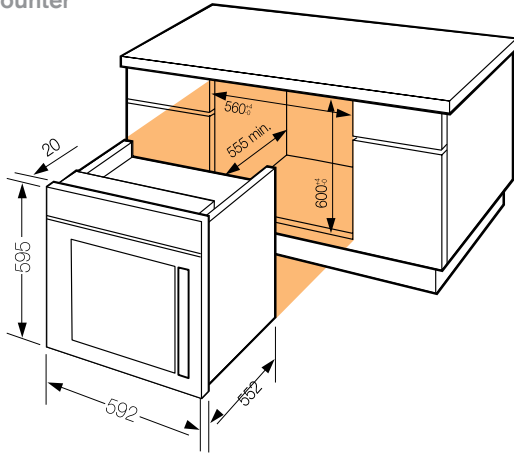


## Single ovens

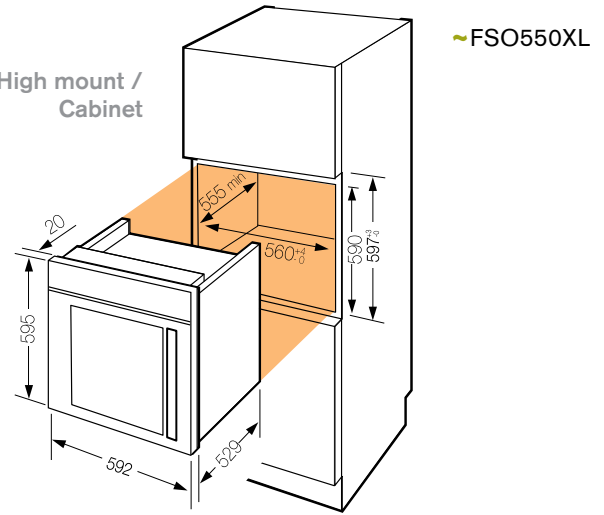
Model Number	FSO1700X	FSO1100X	FSO900X	FSO550XL	FSO500X
<b>Oven Functions</b>	<b>17</b>	<b>11</b>	<b>9</b>	<b>5</b>	<b>5</b>
Turbo plus	▪	▪	▪	▪	▪
Turbogrill	▪	▪	▪	▪	▪
Full width dual variable grill	▪	▪	▪	▪	▪
Economy grill	▪	▪	▪	▪	▪
Defrost	▪	▪	▪	▪	▪
Conventional cooking / ECO	▪	▪	▪	▪	▪
Bottom heat & fan	▪	▪	▪	▪	▪
Keep warm	▪	▪	▪	▪	▪
Fan assisted cooking	▪	▪	▪	▪	▪
Celeris - fast heat up	▪	▪	▪	▪	▪
Delicates function (Bread/Yoghurt)	▪	▪	▪	▪	▪
Multi-level cooking	▪	▪	▪	▪	▪
Digital grilling (3 levels)	▪	▪	▪	▪	▪
Steam function	▪	▪	▪	▪	▪
Pyrolytic self cleaning system - Economy	▪	▪	▪	▪	▪
Pyrolytic self cleaning system - Intensive	▪	▪	▪	▪	▪
Pyrolytic self cleaning system - Automatic	▪	▪	▪	▪	▪
35 pre-programmed recipes	▪	▪	▪	▪	▪
12 pre-programmed steam recipes	▪	▪	▪	▪	▪
<b>Oven Cleaning</b>					
Pyrolytic Self Cleaning System	▪	▪	▪	▪	▪
Easy clean enamel interior	▪	▪	▪	▪	▪
Catalysing filter to remove odours	▪	▪	▪	▪	▪
Easy clean glass inner door	▪	▪	▪	▪	▪
Fold down grill	▪	▪	▪	▪	▪
Anti finger print stainless steel	▪	▪	▪	▪	▪
<b>Oven Features &amp; Controls</b>					
Type of controls	Touch	Touch & Retractable	Retractable	Rotary	Rotary
Interior light	2 x Halogen	▪	▪	▪	▪
Electronic clock, minute minder & programmable oven timer	▪	▪	▪	▪	▪
Digital temperature control	▪	▪	▪	▪	▪
Child lock	▪	▪	▪	▪	▪
Number of glasses	3	3	2	3	2
Cooling fan	▪	▪	▪	▪	▪
Safety thermostat	▪	▪	▪	▪	▪
Cool Door	▪	▪	▪	▪	▪
Large viewing window	▪	▪	▪	▪	▪
<b>Equipment &amp; Accessories</b>					
Full width grill / meat pan with trivet & 2 handles	▪	▪	▪	▪	▪
Auto stop anti tip shelf	2	2	2	2	2
Full width glass steam tray	▪	▪	▪	▪	▪
Telescopic Shelf System	▪	▪	▪	▪	▪
<b>Dimensions</b>					
Built-in in column H/W/D (mm)	590/560/555	590/560/555	590/560/555	590/560/555	590/560/555
Built-in under counter H/W/D (mm)	600/560/555	600/560/555	600/560/555	600/560/555	600/560/555
Overall H/W/D (mm)	595/592/529	595/592/529	595/592/529	595/592/529	595/592/529
Internal oven H/W/D (mm)	322/420/380	322/420/380	322/420/380	322/420/380	322/420/380
Volume (litres)	60	60	60	60	60
Packed H/W/D (mm)	660/650/600	660/650/600	660/650/600	670/640/660	670/640/660
Net weight (kg)	40	40	40	34	34
Gross weight (kg)	42	42	42	36	36
<b>Consumption</b>					
Energy Class	A -10%	A -10%	A	A	A
Function to reach energy class	Fan	Fan	Fan	Fan	Fan
Energy consumption fan (kWh)	0.70	0.70	0.74	0.74	0.74
Oven temperature range	35-275°C	35-275°C	50-250°C	50-250°C	50-250°C
Grill (kW)	2.6	2.6	2.6	2.6	2.6
<b>Electrical Connection</b>					
Total connected load (kW)	3.6	3.6	3.6	2.7	2.7
Connection	220-240V/50Hz	220-240V/50Hz	220-240V/50Hz	220-240V/50Hz	220-240V/50Hz
Fuse rating (Amp)	16	16	16	13	13

## Single ovens

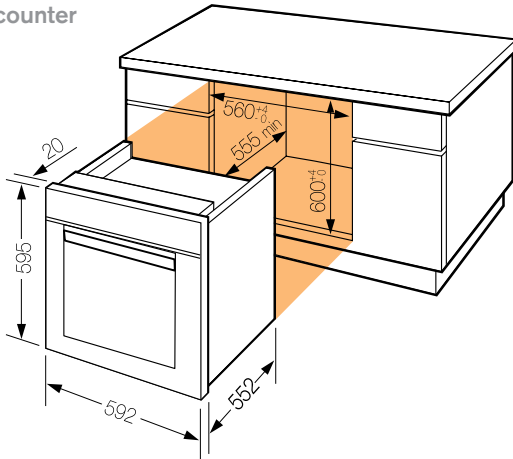
Under counter



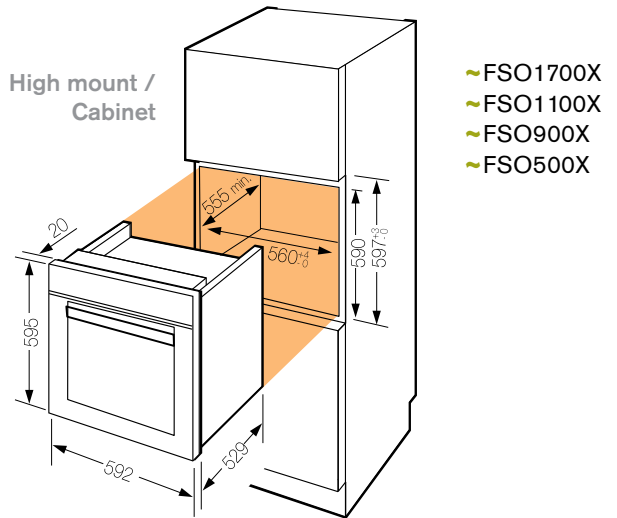
High mount / Cabinet



Under counter



High mount / Cabinet



## Warming drawer

### Model Number

WDF14AX

### Features

- Anti finger print to stainless steel model
- Top/bottom stainless steel profile trim
- Fan heating
- Adjustable temperature
- Timer
- On/off switch
- Anti-slip mat
- Quadro rail for smooth automatic door closing

### Capacity

Large dishes	20
Bowls	30
Small coffee cups	80
Serving dishes	2x36cm
Volume (litres)	24

### Dimensions

Aperture W/D (mm)	135/592/580
Appliance H*/W/D (mm)	140/592/625
Packed H/W/D (mm)	175/618/643
Net weight (kg)	16.3
Gross weight (kg)	17.5

### Electrical Connection

Total connected load (kW)	0.5
---------------------------	-----

~ WDF14AX

