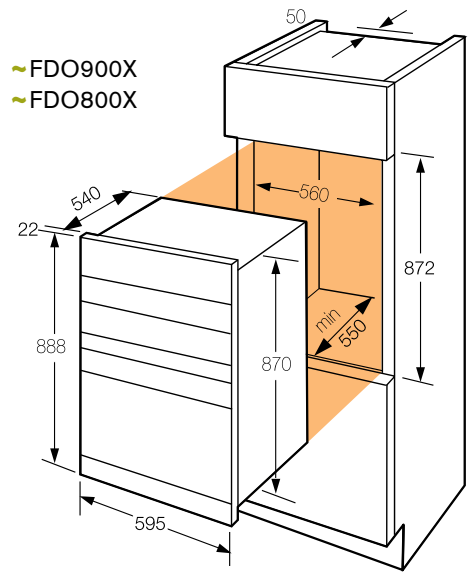
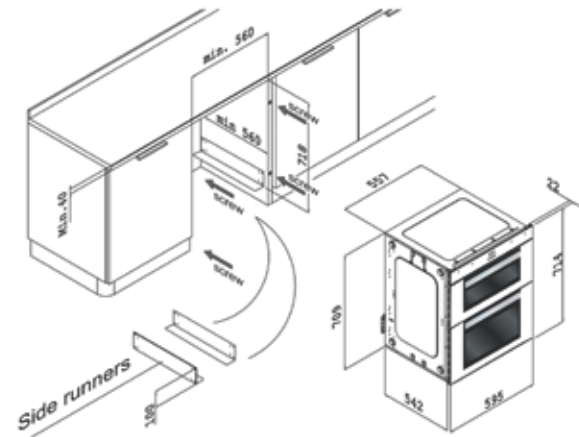


# Double ovens

Model Number	FDO900X	FDO800X	FDU700X
<b>Top Oven Functions</b>	<b>6</b>	<b>5</b>	<b>3</b>
Conventional cooking	•	•	•
Conventional ECO cooking	•	•	•
Bottom heat	•	•	•
Full width dual variable grill	•	•	•
Economy grill	•	•	•
Defrost setting	•	•	•
Keep warm setting	•	•	•
Pyrolytic cleaning	•	•	•
<b>Main Oven Functions</b>	<b>11</b>	<b>9</b>	<b>8</b>
Turbo plus	•	•	•
Bottom heat with fan - Pizza setting	•	•	•
Turbo grill	•	•	•
Full width dual variable grill	•	•	•
Economy grill	•	•	•
Conventional cooking	ECO	•	•
Bottom heat	•	•	•
Defrost setting	•	•	•
Keep warm setting	•	•	•
Bread	•	•	•
Fan assisted cooking	•	•	•
Multi Level Cooking	•	•	•
Pyrolytic self cleaning system - Economy	•	•	•
Pyrolytic self cleaning system - Intensive	•	•	•
<b>Oven Cleaning</b>			
Pyroclean	•	Main	•
Easy clean enamel interior	•	•	•
Easy clean glass inner door	•	•	•
Catalysing filter	•	•	•
<b>Oven Features &amp; Controls</b>			
Type of controls	Touch & Retractable	Touch & Rotary	Touch & Rotary
Interior light	•	•	•
Electronic clock & programmable oven timer	•	•	•
Minute minder	•	•	•
Large viewing window	•	•	•
<b>Safety</b>			
Number of glasses	3/3	3/2	2/2
Cooling fan	•	•	•
Safety thermostat	•	•	•
Child lock	•	•	•
<b>Equipment &amp; Accessories</b>			
Full width grill pan with trivet	1	1	2
Anti tip shelves	3	3	3
<b>Dimensions</b>			
Built-in H/W/D (mm)	870/560/560	870/560/560	718/560/560
Overall H/W/D (mm)	888/595/625	888/595/625	714/595/566
Main internal oven H/W/D (mm)	335/450/425	335/450/425	270/436/415
Volume (litres)	35/57	35/57	32/49
Packed H/W/D (mm)	990/640/660	990/640/660	800/655/655
Net weight (kg)	72	72	54
Gross weight (kg)	75	75	58
<b>Consumption</b>			
Energy Class	A/B	A/A	A/A
Function to reach energy class	Fan	Fan	Fan
Cook time standard load fan (mins)	47/42	47/42	47/42
Energy consumption fan (kWh)	0.85/0.79	0.85/0.79	0.82-0.79
Oven temperature range	50-250°C	50-250°C	50-250°C
Grill (kW)	2.6	2.6	2.0/2.0
<b>Electrical Connection</b>			
Total connected load (kW)	5.35	6.1	5.2
Connection	220-240V/50Hz	220-240V/50Hz	220-240V/50Hz
Fuse rating (Amp)	32	32	32



~ FDU700X



~ 6H-570A TC X

